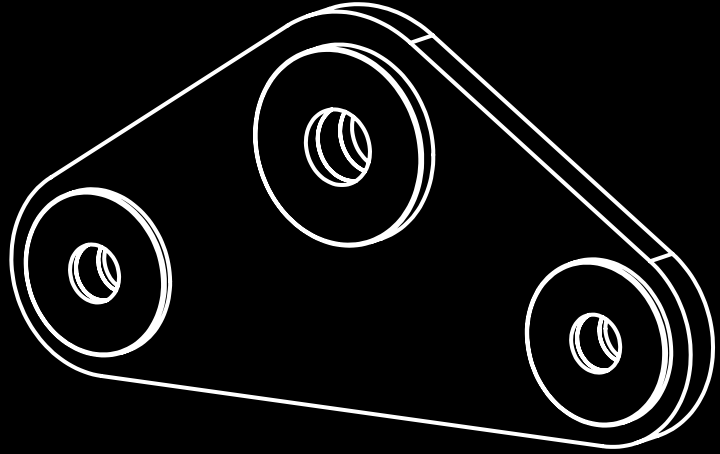


150t EQUALIZER

Maxirig
QUALITY LIFTING SOLUTIONS

When using multi-point slings this device provides a means of equalizing load between sling legs.

Connection is made via standard Grade S bow or Green Pin sling shackles and can be used with chain, wire or synthetic slings.



MODEL
EQP1500

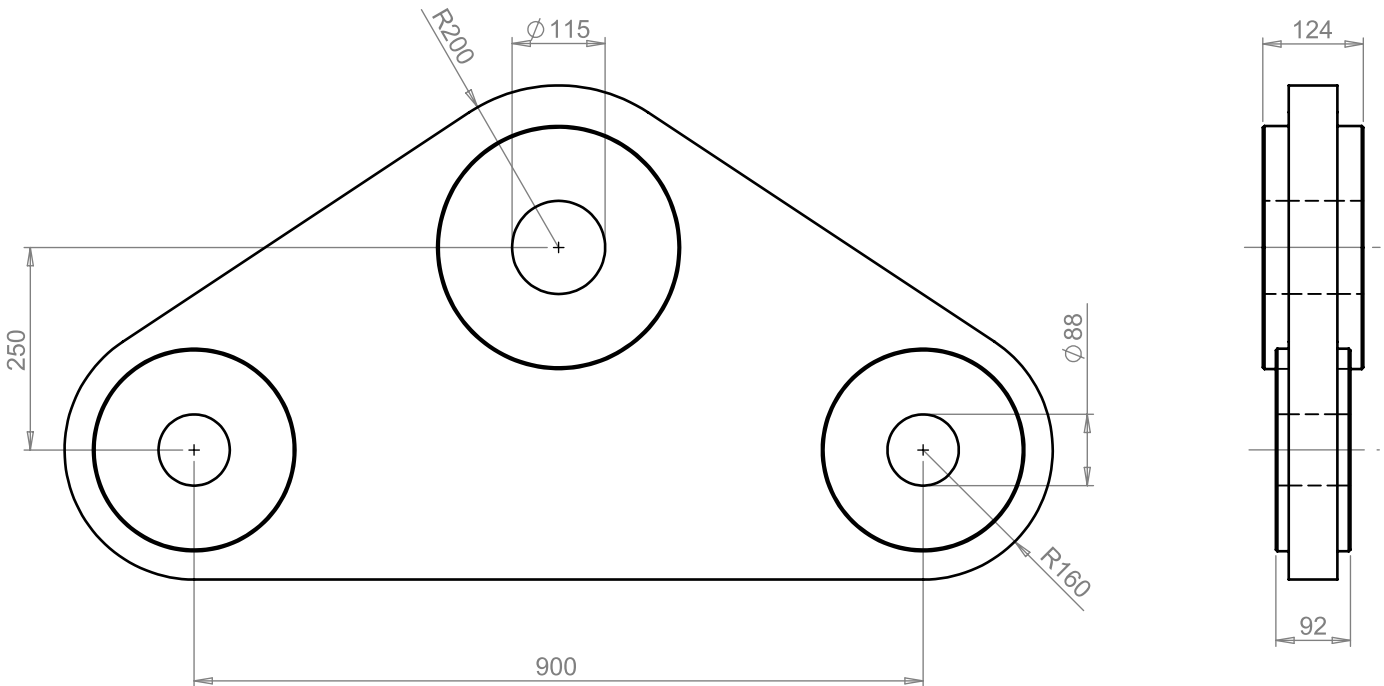
SPECIFICATION

Working Load Limit:	150 TONNE
Tare Weight:	0.300 TONNE
Lifting lug (top) suits:	150t Grade S bow shackle or 150t Green Pin sling shackle
Load lugs (lower) suit:	85t Grade S bow shackle or 75t Green Pin sling shackle

ASSURANCE

Compliance Standard:	AS4991-2004
Proof load tested:	Yes
NDT Weld Inspection:	Yes
Standard Finish*:	Painted (G36 Green)

*Other colours/finishes available on request



SUPERIOR QUALITY LIFTING PRODUCTS AUSTRALIA WIDE
All Maxirig products are designed and manufactured in Australia by our highly skilled team of engineers

maxirig.com.au