

# 30t EQUALIZER

**Maxirig**  
QUALITY LIFTING SOLUTIONS

When using multi-point slings this device provides a means of equalizing load between sling legs.

Connection is made via standard Grade S bow shackles and can be used with chain, wire or synthetic slings.



MODEL  
**EQP1030**

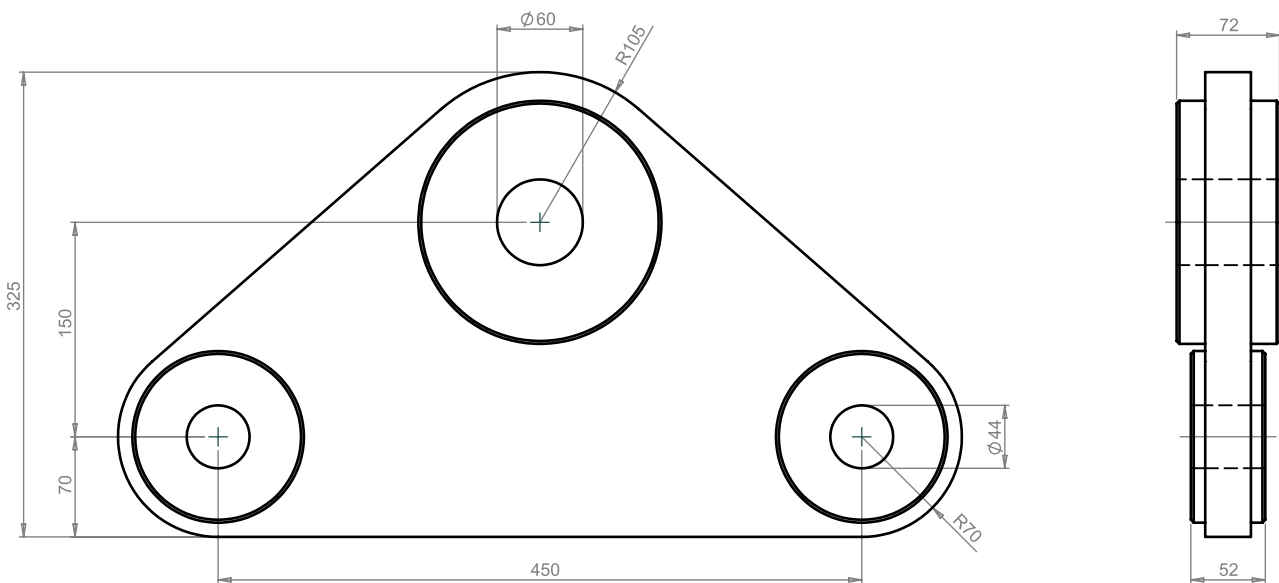
## SPECIFICATION

<b>Working Load Limit:</b>	30 TONNE
<b>Tare Weight:</b>	0.040 TONNE
<b>Lifting lug (top) suits:</b>	35t Grade S bow shackle
<b>Load lugs (lower) suit:</b>	17t Grade S bow shackle

## ASSURANCE

<b>Compliance Standard:</b>	AS4991-2004
<b>Proof load tested:</b>	Yes
<b>NDT Weld Inspection:</b>	Yes
<b>Standard Finish*:</b>	Painted (G36 Green)

\*Other colours/finishes available on request



**SUPERIOR QUALITY LIFTING PRODUCTS AUSTRALIA WIDE**  
All Maxirig products are designed and manufactured in Australia by our highly skilled team of engineers

[maxirig.com.au](http://maxirig.com.au)