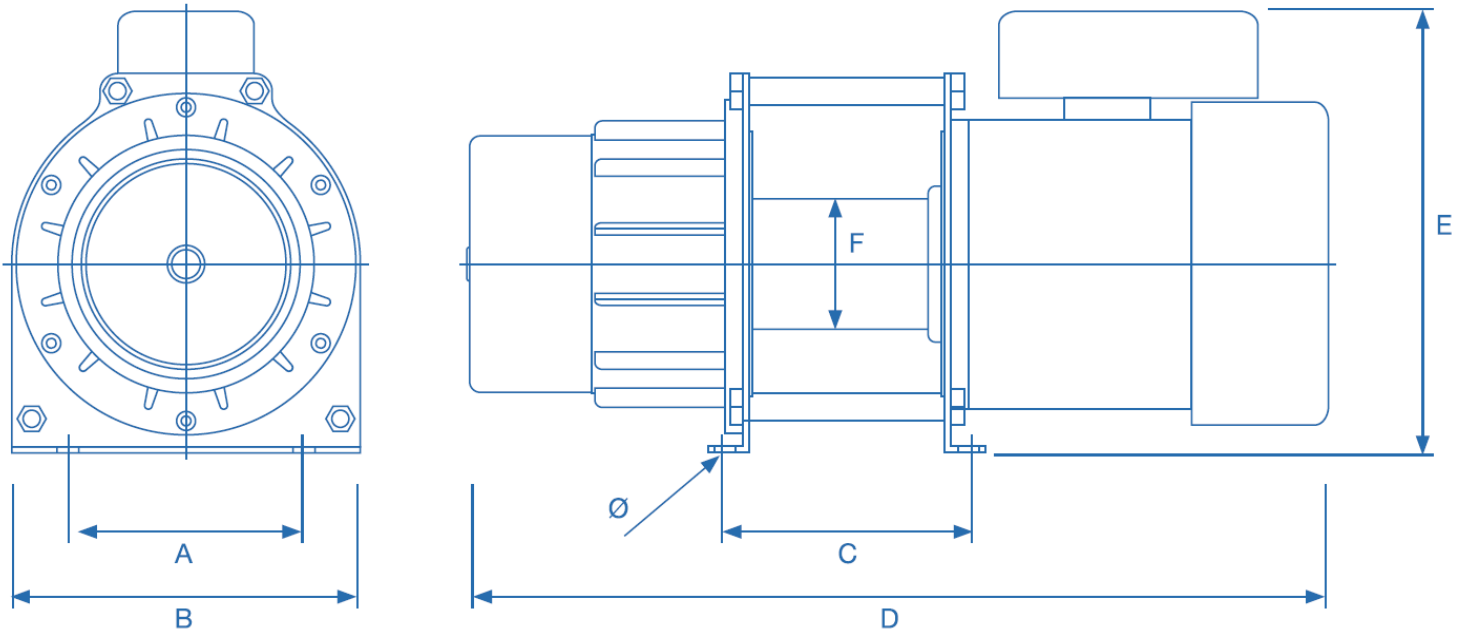


JV-1020-13D03  
 JV-1025-13D03  
 JV-1030-13D03

# TECHNICAL DATA SHEET



Model	JV-1020-13D03	JV-1025-13D03	JV-1030-13D03
Capacity	200 Kg	250 Kg	300 Kg
Avg Speed (m/min)	11	11	11
Steel Rope Capacity	6mm x 30m	6mm x 30m	6mm x 30m
Voltage	1PH 240V AC 50Hz	1PH 240V AC 50Hz	1PH 240V AC 50Hz
Motor kW	0.5 kW	0.55 kW	0.75 kW
Body Dimensions (mm)	A	142	142
	B	210	210
	C	142	142
	D	522	527
	E	285	285
	F	76	76
	Ø	10	10
Weight (kg)	31.2	32.0	35.5



**WINCHES AUSTRALIA**  
 Quality Winch Solutions



1300 946 242

[www.heswinches.com.au](http://www.heswinches.com.au)